

# ADDIE SMALL COPPER LAVATORY BOWL

Cat. No.  
6712



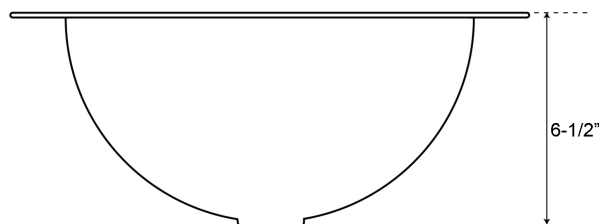
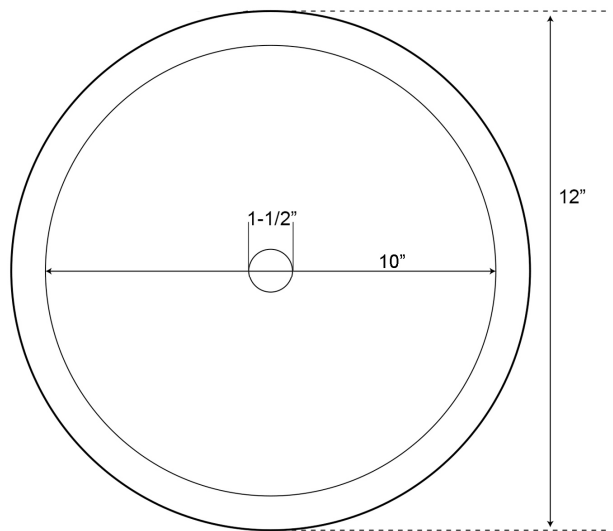
## Features:

- ▶ 16 Gauge Metal
- ▶ For undermount installation
- ▶ Round
- ▶ Includes overflow and drain opening for standard 1-1/2" drain fitting
- ▶ 1" Rim
- ▶ Flange measures 2-5/8" in diameter and 1/8" in height
- ▶ Also Available as Self-rimming (#6713)
- ▶ Copper is a living finish and will patina over time
- ▶ Pewter will not patina under normal circumstances

## Finishes:

**AC** Hammered Antique Copper  
**PE** Hammered Pewter

Diameter: 12"  
Height: 6-1/2"



## Interior Dimensions:

Diameter: 10"  
Basin Depth: 6-1/4"

Dimensions of fixture are nominal and may vary. Dimensions and specifications subject to change without notice.